


Inverter matching list

We Felicity hereby authorize

Low voltage battery packs are compatible with the following brands of inverters

CAN/RS485 Matched Hybrid Inverter Brands			
Brand	Model	Communication protocol	Cable Supply
<p>Felicitysolar/ FelicityESS</p>	<p>IVEM series IVGM5048/T-REX-5KLP1G01 IVGM10048/T-REX-10KLP3G01 IVPS/IVPM/IVPA series</p>	<p>RS485</p>	<p>RJ45</p>
<p>Deye</p>	<p>SUN- 3 / 3.6 / 5 / 6 K-SG04LP1- EU. SUN- 3.6 / 5 / 6 K-SG03LP1-EU. SUN- 3.6 / 5 / 6 / 7.6 / 8 K SG05LP1-EU. SUN- 5 / 6 K-SG01LP1-US. SUN- 7.6 / 8 K-SG01LP1-US/EU. SUN- 5 / 6 / 8 / 10 / 12 K SG04LP3-EU. SUN-12 / 14 / 16 K-SG01LP1-EU.</p>	<p>RS485/CAN</p>	<p>RJ45</p>
<p>Luxpower</p>	<p>LXP 3.6K/4.6K/5K Hybrid LXP 3600 ACS series. LXP-LB-EU 6-8K LXP-LB-EU 8-10K LXP-LB-EU 12K</p>	<p>CAN</p>	<p>RJ45</p>
<p>Growatt</p>	<p>SPF 3500 -5000 ES SPF 6000 ES Plus</p>	<p>RS485/CAN</p>	<p>RJ45</p>
<p>Voltronic</p>	<p>Infini Solar V IV TWIN 6/6.5/ 8kw Axpert VM III Axpert VM IV Axpert MKS III Axpert MKS IV Axpert MAX Axpert MAX II</p>	<p>RS485</p>	<p>RJ45</p>

Sunsynk	SUNSYNK-3.6/5/8K-SG01LP1 SYNK-8/10/12K-SG04LP3 SUNSYNK MAX	RS485	RJ45
Megarevo	R(5-8)KLNA R(6-15)KH3 R(3-6)KL1	CAN/RS485	RJ45
Victron	To ensure successful communication, please use this Cerbo GX box to communicate with our battery. 	CAN	RJ45
SRNE	HF4830S60-H/HF4850S80-H HF4835U60-H/HF4850U80-H HF4850S80 -145 HF4830U60 -145/HF4835U80 -145 HES48(80-120)S200-H HES48(80-120)U200-H HES48(40-60)S200-H	RS485	RJ45
Solis	S6-EH1P(3-6)K-L-EU S6-EH1P8K-L-PRO S5-EH1P(3-6)K-L	CAN	RJ45
MPPsolar	PIP-MT series U-GK/U-MS series PIP-MKX series PIP-MAX series PIP-MGX series PIP-MK series PIP-GK series	RS485	RJ45

Afore	AF(1-3.6)K-SL AF(3-6)K-SL	CAN	RJ45
SOFAR	HYD 3000-6000-EP	CAN	RJ45
CHISAGE ESS	MARS-5-14G2-LE MARS-5-14G1-LE JUP-5-10G2-LE	CAN	RJ45

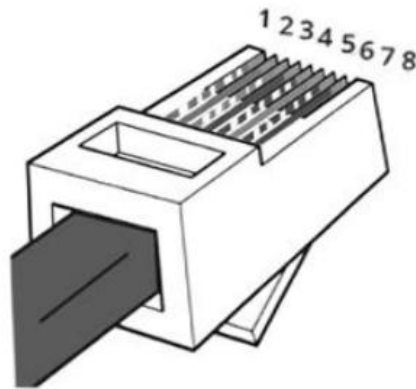
Note: Our battery is using **PYLON protocol**, in theory, our battery can communicate with inverters that support the PYLON protocol. For additional support, please contact our customer service staff.

Whatsapp: +86 18022876286

E-mail: angie@felicitysolar.com;

ouyinyan@felicitysolar.com;

The corresponding communication pins are defined in the following table. You can make communication cables according to this table.



(1)RS485 Protocol pins defined.

	NO.	Felicitysolar	Deye	LuxPower	Growatt	Voltronic	MegaRevo	SRNE	Mppsolar
RS485	Pin1	GND	RS485B	RS485B	RS485B	x	x	x	x
	Pin2	x	RS485A	RS485A	RS485A	x	x	GND	x
	Pin3	x	GND	x	x	RS485B	x	x	x
	Pin4	x	x	x	x	x	x	x	RS485-A
	Pin5	RS485B	x	x	x	RS485A	x	x	RS485-B
	Pin6	RS485A	GND	x	x	x	x	x	x
	Pin7	x	x	x	x	x	RS485A	RS485A	x
	Pin8	x	x	GND	x	GND	RS485B	RS485B	GND

(2)CAN Protocol pins defined.

	NO.	Felicitysolar	Victron	Solis	Deye	MegaRevo	Growatt	Afore	SOFAR	Goodwe
CAN	Pin1	x	x	x	x	x	x	x	CAN_H	x
	Pin2	x	x	x	x	x	x	x	CAN_L	x
	Pin3	CAN_L	x	x	x	x	x	x	x	x
	Pin4	CAN_H	x	CAN_H	CAN_H	CAN_H	CAN_H	CAN_H	x	CAN_H
	Pin5	x	x	CAN_L	CAN_L	CAN_L	CAN_L	CAN_L	x	CAN_L
	Pin6	x	x	x	x	x	x	x	x	x
	Pin7	CAN_L (Just for EC and LPBA48100-OL)	CAN_H	x	x	x	x	x	x	x
	Pin8	CAN_H (Just for EC and LPBA48100-OL)	CAN_L	x	x	x	x	x	x	x

(3)For example, if you want to let our LPBA48100-OL battery to communicate with Victron inverter directly, you need to make a communication cable like the one below.

	NO.	Felicitysolar	Victron
CAN	Pin1	×	×
	Pin2	×	×
	Pin3	×	×
	Pin4	×	×
	Pin5	×	×
	Pin6	×	×
	Pin7	CAN_L	CAN_H
	Pin8	CAN_H	CAN_L

